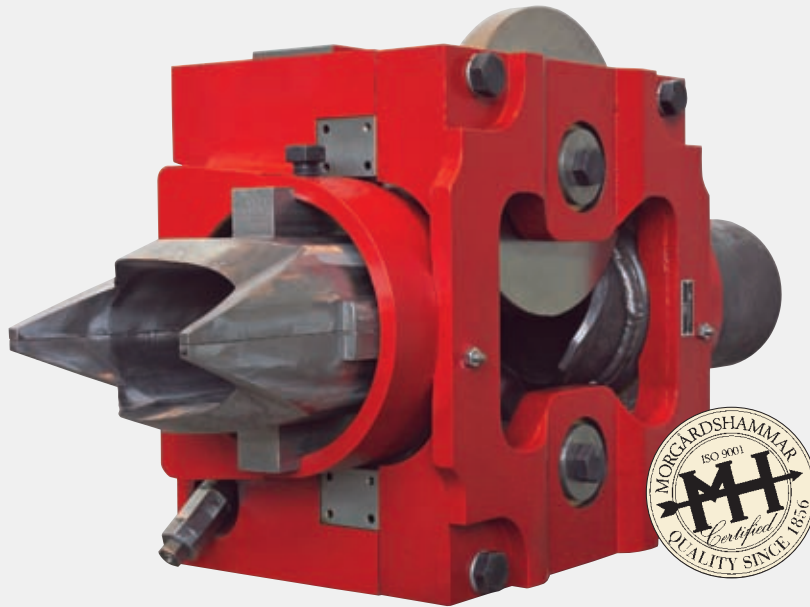




RTC-RS twisting guides represent the reliable solution for twisting of ovals.



RTC-RS
GUIDE SERIES
>exit twist
roller guide<

The exit twist RTC-RS guides are well proven on bar and wire rod mills and are known for the precision on twisting and guiding of rolled stock.

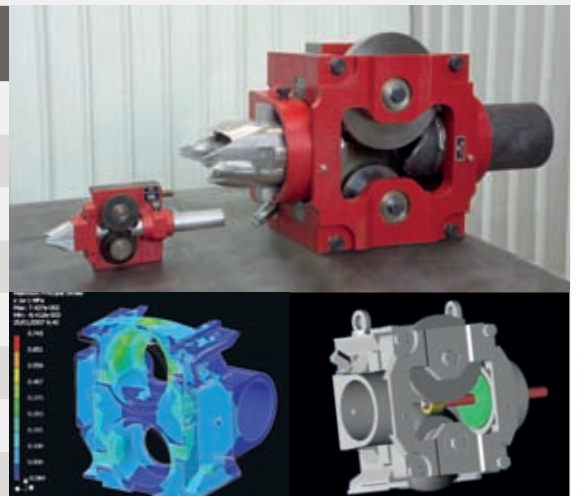


Guide features

- > Cantilever design that allows the utilization of rollers with larger diameter and bigger bearings, and consequently with longer utilization time and higher load capacity.
- > Visually-controlled rollers for immediate twisting control.
- > Quick-replacement rollers.
- > Central point adjustment to maintain the perfect centerline thought simultaneous and symmetrical adjustment of rollers.

- > Long-life components.
- > Mounting in upside down position to maximize the use of the cylinder barrel length.
- > Double support for roller shafts on bigger guides to resist to high twisting loads.
- > Cheap and simple consumable parts, easy to replace.
- > Fixed base or cassette-type mounting is available.
- > Dedicated mounting for slitting processes.
- > Twisting point close to stand means reduced twisting angle and therefore reduced load on the bearings.

| RTC-RS (dimensions in mm) | | 1 | 3 | 5 | 7 | 10 | 12 | 15 | 18 |
|------------------------------|-----|----|----|----|----|-----|-----|-----|-----|
| | Min | 8 | 15 | 23 | 36 | 50 | 68 | 90 | 120 |
| | Max | 27 | 40 | 56 | 80 | 105 | 140 | 180 | 200 |
| | Min | 8 | 15 | 23 | 36 | 50 | 68 | 90 | 120 |
| | Max | 27 | 40 | 56 | 80 | 105 | 140 | 180 | 200 |
| | Min | 8 | 15 | 23 | 36 | 50 | 68 | 90 | 120 |
| | Max | 27 | 40 | 56 | 80 | 105 | 140 | 180 | 200 |
| | Min | - | 8 | 15 | 25 | 35 | 48 | 65 | 85 |
| | Max | - | 20 | 28 | 40 | 55 | 73 | 95 | 125 |





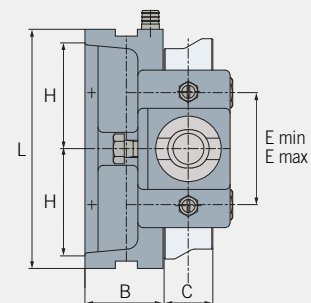
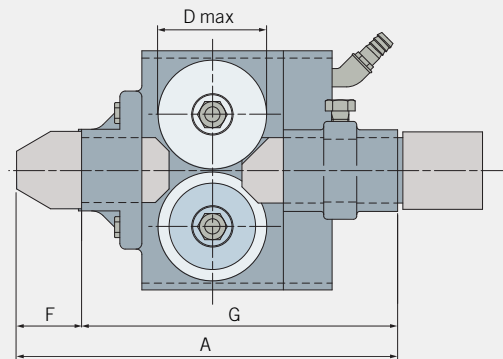
RTC-RS twisting guides represent the reliable solution for twisting of ovals.

| Type | RTC-1RS | RTC-3RS | RTC-5RS | RTC-7RS | RTC-10RS | RTC-12RS | RTC-15RS | RTC-18RS |
|--------------|---------|---------|---------|---------|----------|----------|----------|----------|
| A | 302 | 380 | 395 | 485 | 580 | 620 | 750 | 980 |
| B | 81 | 95 | 122 | 160 | 205 | 185 | 210 | 265 |
| C | 34 | 40,5 | 56.5 | 75 | 90 | 110 | 150 | 180 |
| D max | 95 | 110 | 140 | 170 | 210 | 250 | 310 | 395 |
| E max | 90 | 107 | 137 | 165 | 210 | 248.5 | 305.5 | 375 |
| E min | 70 | 83 | 113 | 145 | 190 | 228.5 | 282 | 345 |
| F | 67 | 70 | 75 | 95 | 110 | 130 | 150 | 180 |
| G | 235 | 290 | 320 | 390 | 470 | 490 | 600 | 800 |
| H | 95 | 110 | 140 | 160 | 195 | 210 | 250 | 335 |
| L | 190 | 220 | 280 | 330 | 410 | 450 | 550 | 720 |

Guide type
RTC-RS

Guide size
1 / 3 / 5 / 7 / 10

(dimensions in mm)



Guide type
RTC-RS

Guide size
12 / 15 / 18

